



introducing...

ScrapTrapper™

solids interceptor

The **NEW ScrapTrapper™** solids interceptor from EBtech is the Best Management Practice for preventing drain backups.



- **PREVENTS** food solids and debris from entering the drain system
- **SAVES** plumbing expenses from emergency drain cleaning services
- **EXTENDS** grease trap cleaning intervals by limiting suspended solids
- **REPLACES** grinders and reduces water consumption and energy use
- **REDUCES** BOD (Biological Oxygen Demand) in wastewater effluent
- **EASY** to install, simple to use, and can pay for itself in one service call

Keep your drains flowing with **ScrapTrapper™**

EBtech

EBtech | 888.855.1925 | www.drain.pro

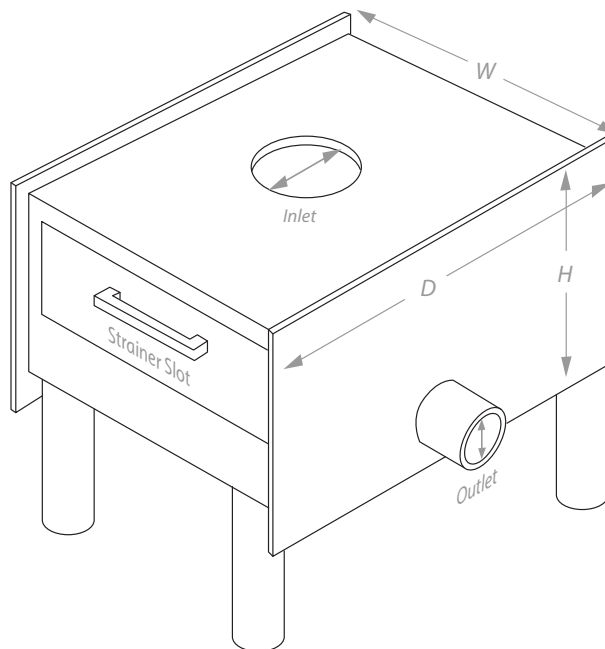
VISIT OUR ONLINE SHOP

www.Drain.pro →

ALL NEW

ScrapTrapper™

solids interceptor



Dimensions

Model #	Height	Width	Depth	Inlet	Outlet**
ST4-G	9" / 229 mm*	12" / 305 mm	16" / 305 mm	3.75"/95mm	2"/50mm

* Unit housing height minus legs. Overall height varies per installation and final leg support lengths.

** Right and left outlet pipe comes standard. Side not used is capped at installation

How it works

By design, the ScrapTrapper is a simple device to capture food solids from a sink before entering the drain line. A stainless steel perforated drawer strains and collects solid scrap from pre-rinse or prep sinks before proceeding to the drain line and grease trap. The ample strainer drawer is then easily handled and emptied to a

separate compost or recycling bin and returned to its slot. The ScrapTrapper housing is made from non-corrosive, durable HDPE marine plastic that is FDA, USDA & RoHS compliant. PVC legs are specified for easy customization during installation to enable exacting fit to most commercial food service applications.

Applications

The ScrapTrapper is ideal for use after triple-sinks, prep sinks, pre-rinse sinks, dishwasher areas, tilt kettles, bar sinks, coffee stations (grinds), beverage bars, and disposal replacement. Use ScrapTrapper anywhere that food solids could possibly enter drains by sink or trough.



EBtech | 888.855.1925 | www.drain.pro

